

# POS05200A series

5V / 2A Wall mounted type AC/DC adaptor

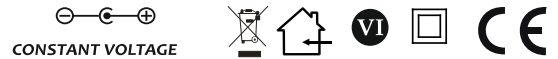


## ■ Features:

- Universal AC input / Full range
- ErP step II / CEC level VI compliance
- No load power consumption  $P < 0.075W$
- Protections: Overload / Short circuit / Over Voltage



## ELECTRICAL SPECIFICATION



<b>MODEL</b>	POS05200A
<b>OUTPUT</b>	
<i>Rated Voltage</i>	5V
<i>Rated Current</i>	2A
<i>Current Range</i>	0 ÷ 2A
<i>Rated Power</i>	10W
<i>Line Regulation</i>	± 1%
<i>Load Regulation</i>	± 5%
<i>Tolerance [3]</i>	± 8%
<i>Ripple &amp; Noise (max.) [2]</i>	150mV <sub>p-p</sub>
<i>Setup, Rise Time [4]</i>	5000ms, 30ms / 230VAC at full load
<i>Hold up Time (typ.)</i>	4ms / 230VAC at full load

<b>INPUT</b>	
<i>Voltage Range</i>	90 ÷ 264VAC
<i>Frequency Range</i>	47 ÷ 63Hz
<i>Efficiency (typ.)</i>	79,11%
<i>AC Current (typ.)</i>	0.25A / 230VAC
<i>No load Power Consumption (max.)</i>	0.075W

<b>PROTECTIONS</b>	
<i>Overload</i>	Range: 105-200% Auto-recovery.
<i>Short Circuit</i>	Type: hiccup mode, auto-recovery.
<i>Over Voltage</i>	Type: auto-recovery.

# POS05200A series

5V / 2A Wall mounted type AC/DC adaptor



## WORKING ENVIRONMENT

<b>Working Temperature</b>	0°C ÷ 40°C
<b>Working Humidity</b>	10 ÷ 90% RH non-condensing
<b>Storage Temperature and Humidity</b>	-20°C ÷ 85°C, 5 ÷ 90% RH non-condensing

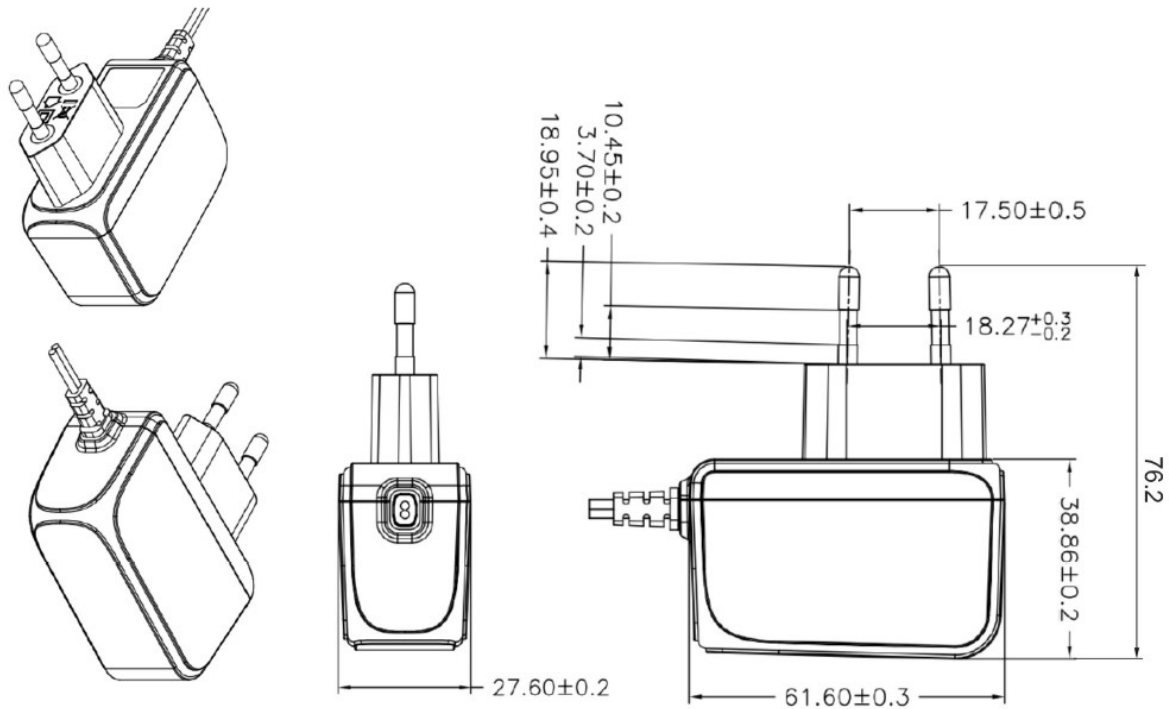
## SAFETY and EMC REGULATIONS

<b>Safety Standards</b>	Compliance to EN 60950-1
<b>Withstand Voltage</b>	IN/OUT: 3.6kVAC
<b>Isolation Resistance</b>	IN/OUT: 50MΩ/500VDC/25°C/70%
<b>EMC Emission</b>	Compliance to EN55032
<b>EMC Immunity</b>	Compliance to EN61000-4-2, -3, -4, -5
<b>Harmonic Current</b>	Compliance to EN61000-3-3; EN61000-3-2

## OTHERS

<b>DC wire and plug</b>	Wire: 22AWG*2C, length = 1500mm	Plug: 2.1/5.5 mm
<b>Net Weight / Dimensions</b>	131.8g / 76.2 x 27.6 x 61,6mm (L x W x H)	

## MECHANICAL SPECIFICATION

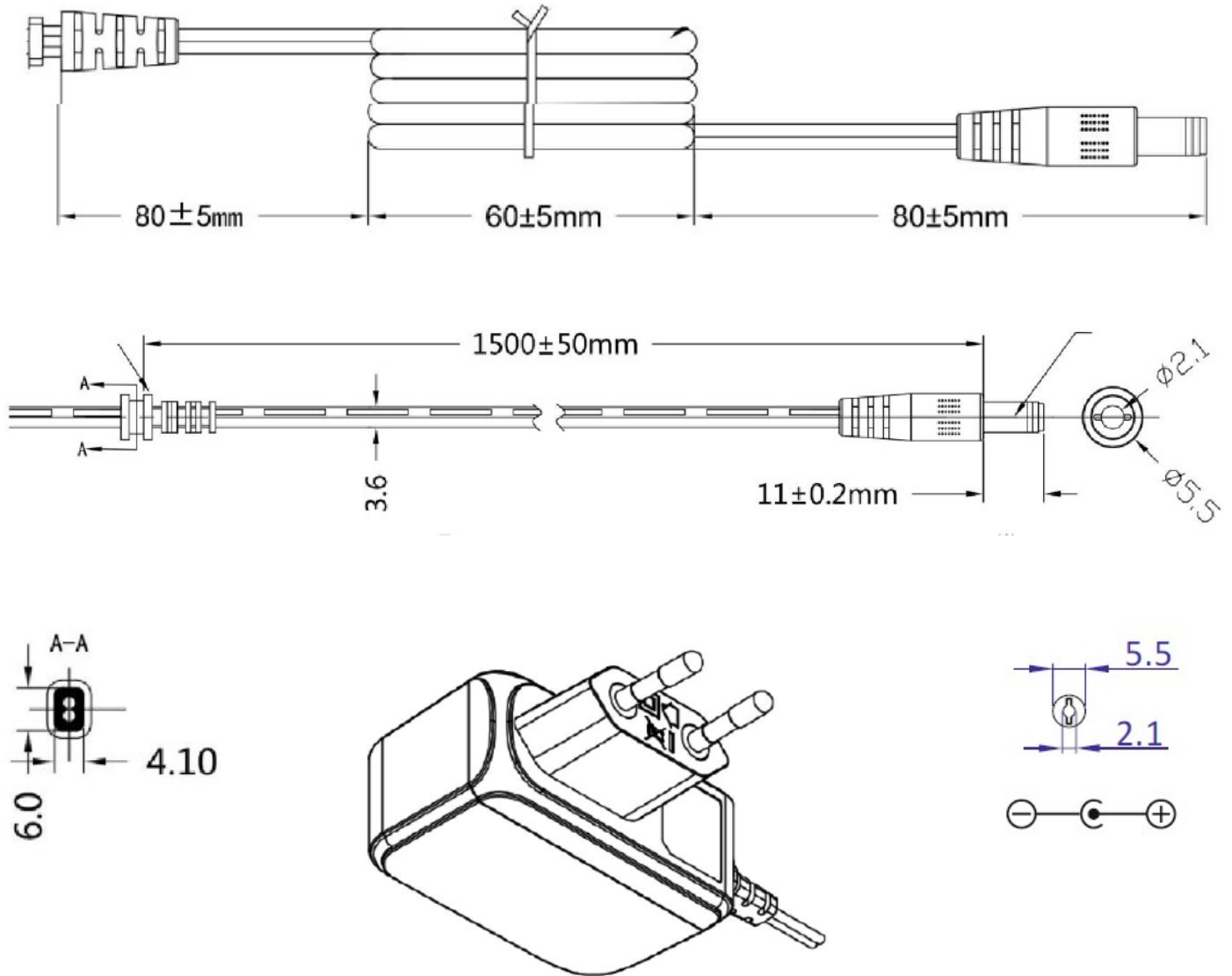


# POS05200A series

5V / 2A Wall mounted type AC/DC adaptor



## MECHANICAL SPECIFICATION: DC wire and plug



1. All parameters NOT specially mentioned are measured at 230VAC input, rated load and 25°C of ambient temperature.
2. Ripple & noise are measured at 20MHz of bandwidth by using a 12" twisted pair-wire terminated with a 0.1µF i 47µF parallel capacitor.
3. Tolerance includes set up tolerance, line regulation and load regulation.
4. Setup and rise time is measured from 0 to 90% rated output voltage.
5. Power supply is considered as component not indented to apply by end-user. Power supply meets safety and EMC standards however the final equipment with power supply must be re-quality to comply with EMC Directives.