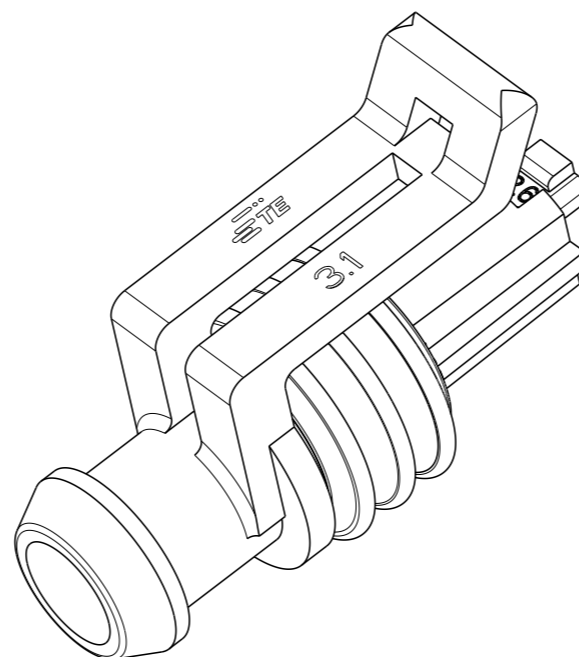
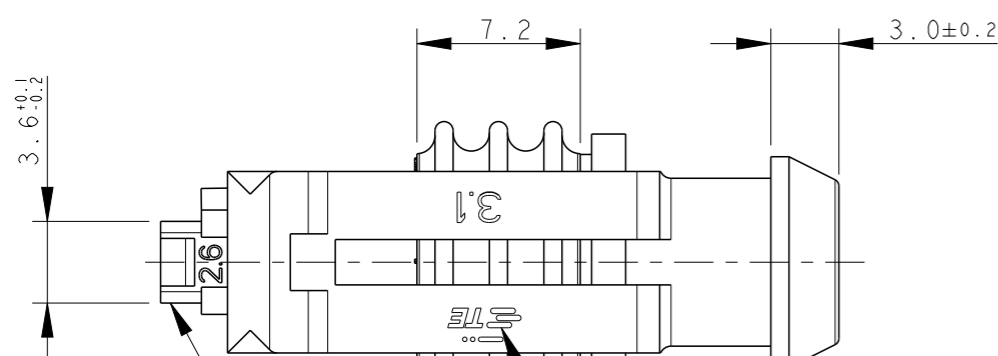
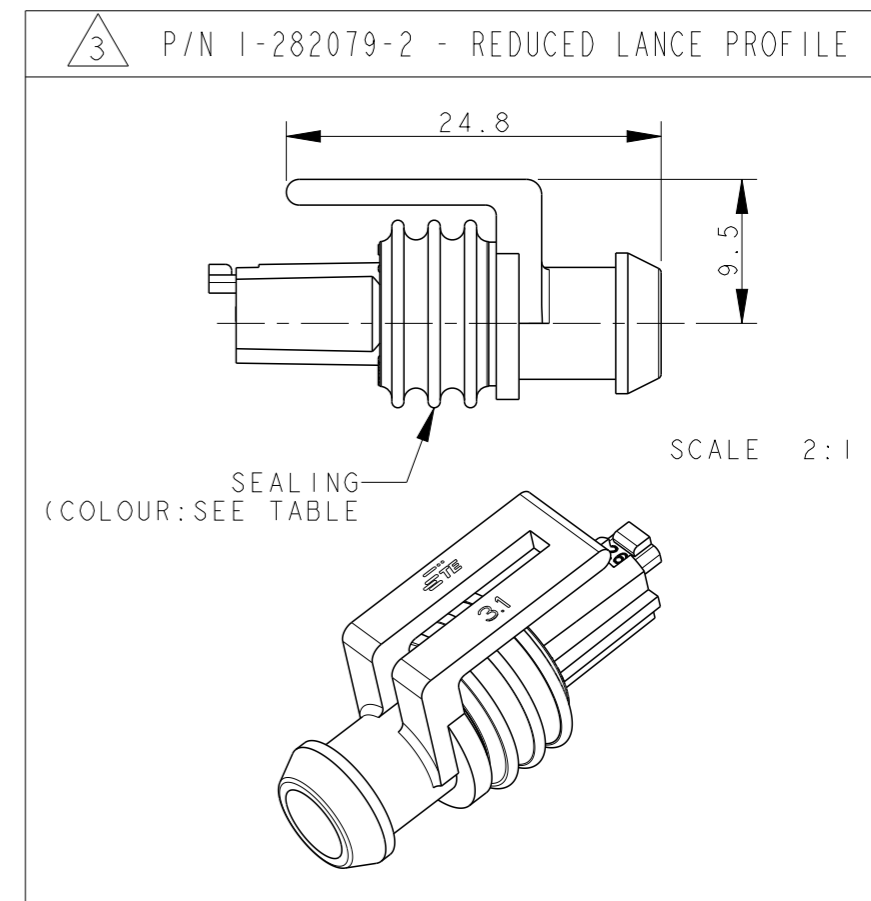
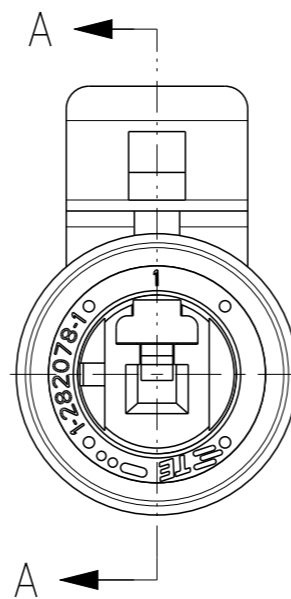
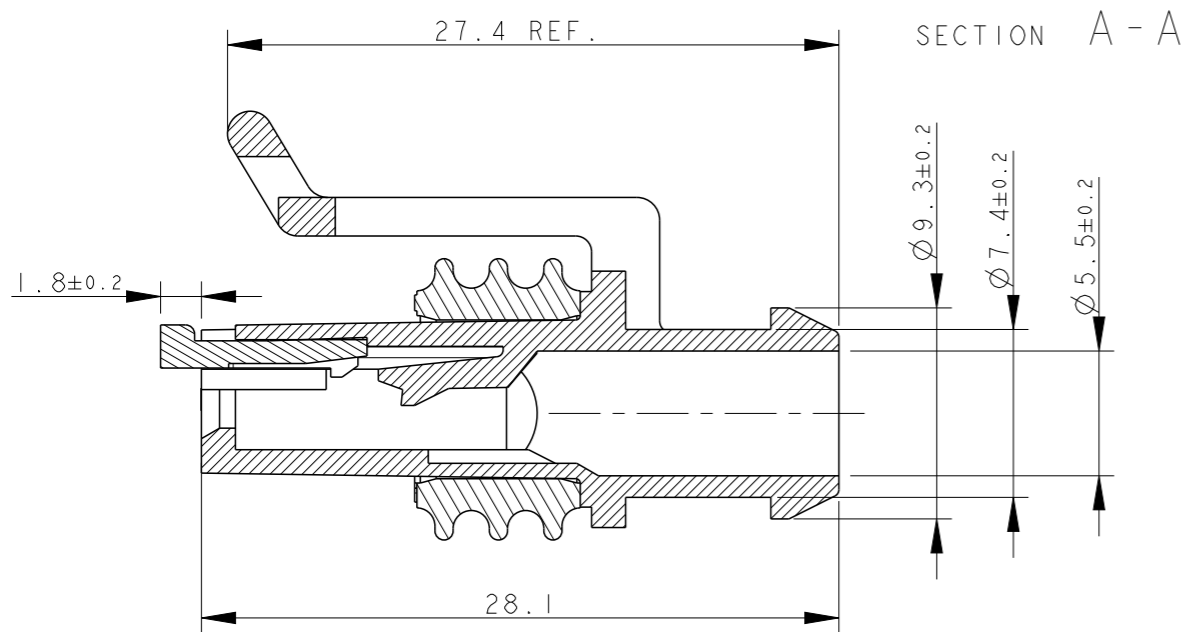


REVISIONS

P	LTR	DESCRIPTION	DATE	DWN	APVD
G		ECR-14-009314	24MAR2015	M.P.	M.G.
G1		REVISED (ECR-15-014031)	25SEP2015	M.G.	M.G.
G2		REVISED PER ECO-17-001706	10FEB2017	C.A.	M.G.
G3		REVISED PER ECO-17-018626	18DEC2017	AP	VN



TE CONNECTIVITY TRADE MARK,
(IN ALTERNATIVE: "AMP" LOGO, OR "Tyco Electronics" LOGO)

SEALING
(COLOUR:SEE TABLE)

PRE-ASSEMBLED SECONDARY LOCK
(COLOUR RED)

1 WARNING: LOW RETENTION FORCE OF SEALING ON HOUSING (<9N)
2) FOR COUNTERPART DETAILS, SEE SHEET 2 OF 2

NOTE	SEAL COLOUR	HOUSING COLOR	MATERIAL	PART NUMBER
1	NATURAL	BLACK	HOUSING+SEC.LOCK: PA 66-GF SEALING: LSR (4% OIL CONTENT)	2-282079-2
	YELLOW	3 BLACK	HOUSING+SEC.LOCK: PA 66-GF SEALING: LSR (NO OIL CONTENT)	1-282079-2
	YELLOW	GRAY		282079-3
	YELLOW	BLACK		282079-2

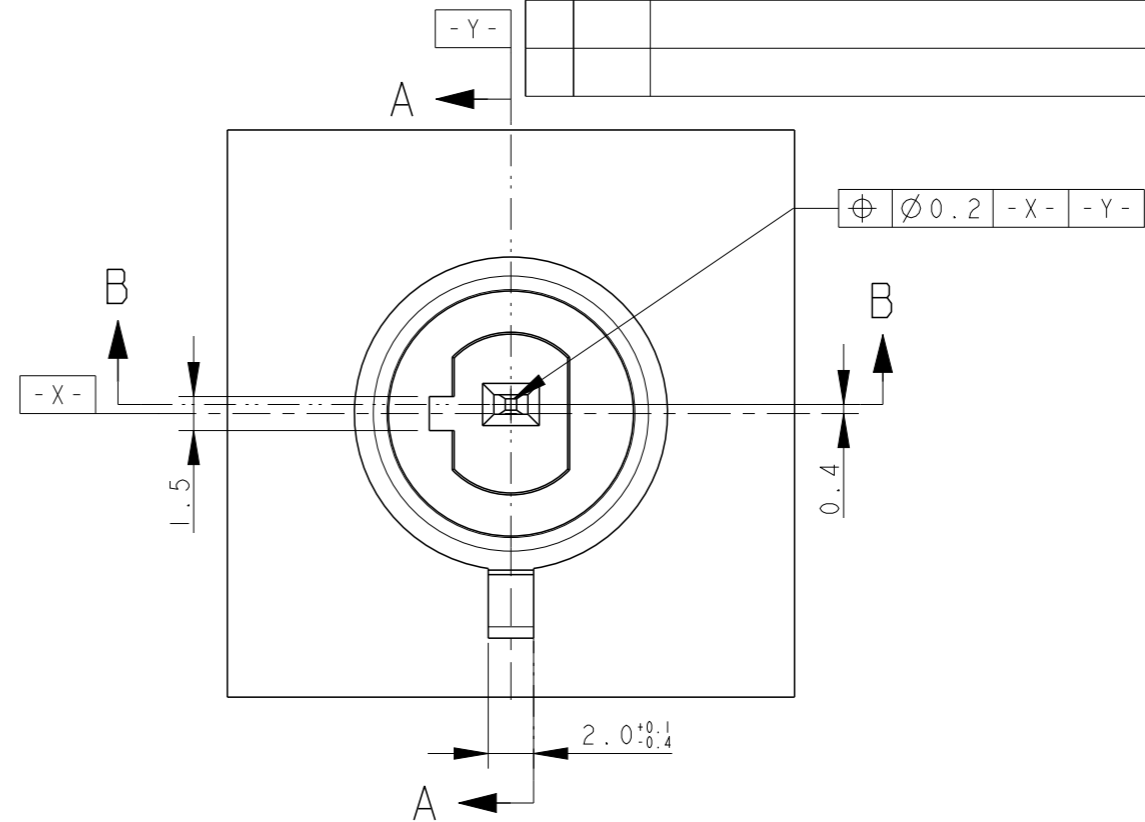
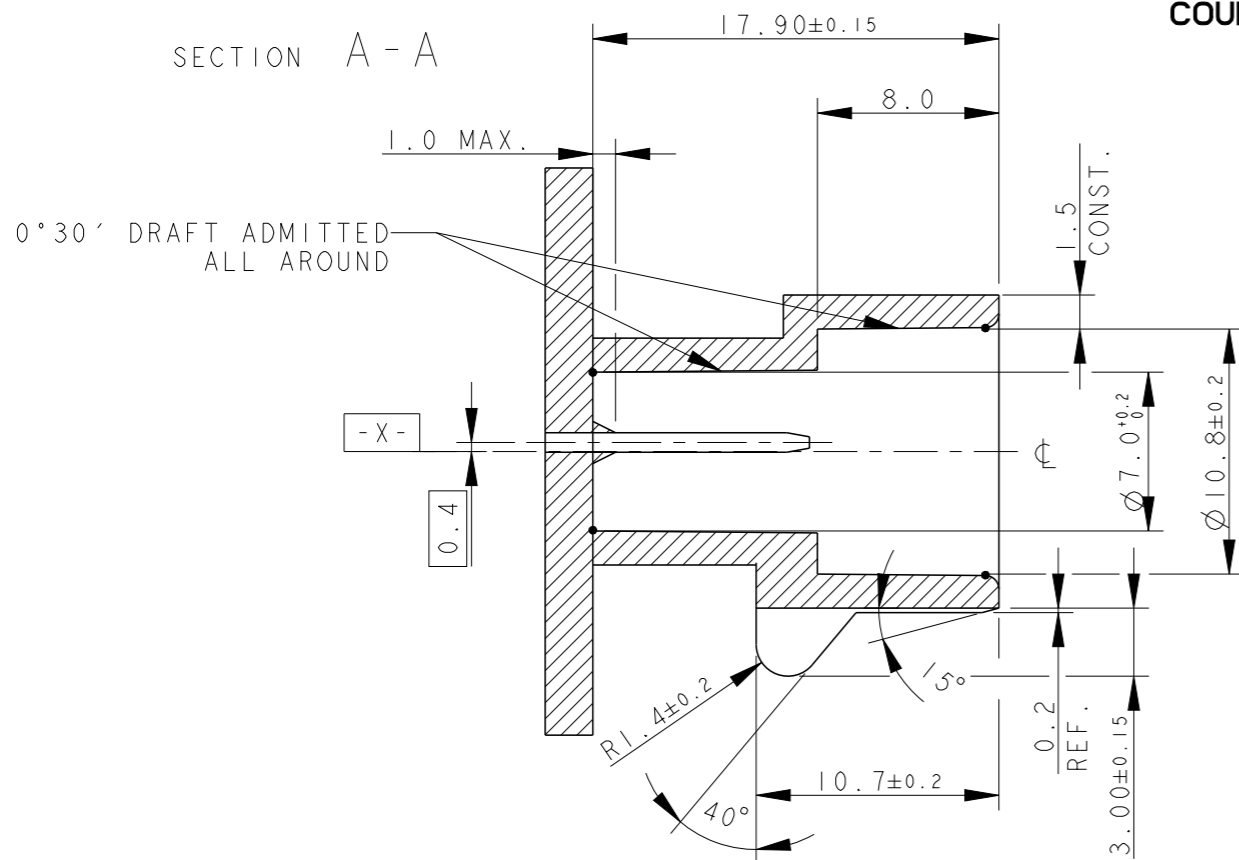
THIS DRAWING IS A CONTROLLED DOCUMENT.		DWN 05-1992 C. BERTINI		TE Connectivity	
DIMENSIONS: mm		CHK 05-1992 A. BRUNI			
TOLERANCES UNLESS OTHERWISE SPECIFIED:		APVD -		NAME -	
0 PLC ±-		PRODUCT SPEC 108-20090		AMP SUPERSEAL 1.5 SRS. 1 POSITION PLUG ASS'Y	
1 PLC ±0.3		APPLICATION SPEC 412-20000			
2 PLC ±-		WEIGHT 1.55gr		SIZE A3	CAGE CODE 00779
3 PLC ±-		Customer Drawing		DRAWING NO C-282079	RESTRICTED TO -
4 PLC ±-		SCALE 3:1		SHEET 1 OF 2	REV G3
ANGLES ±2°					
FINISH -					
MATERIAL -					
SEE TABLE					
SEE TABLE					

REVISIONS

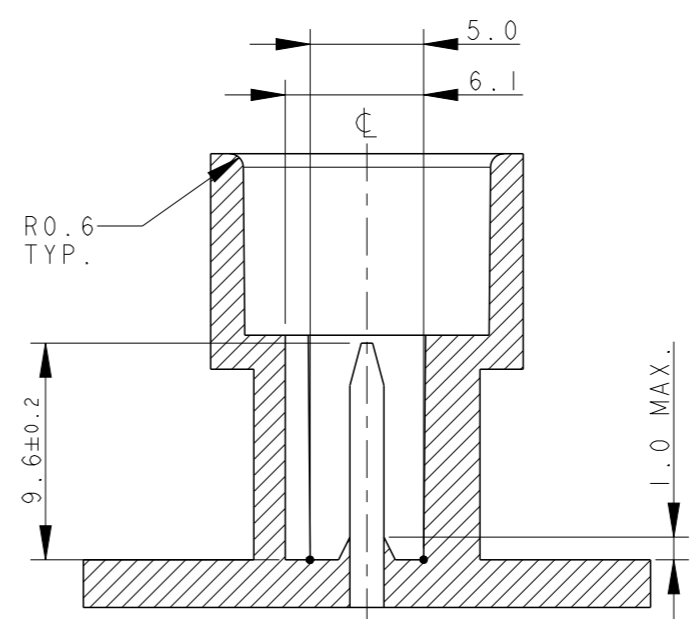
P	LTR	DESCRIPTION	DATE	DWN	APVD
-	-	SEE SHEET 1	-	-	-

COUNTERPART DETAILS

SECTION A - A

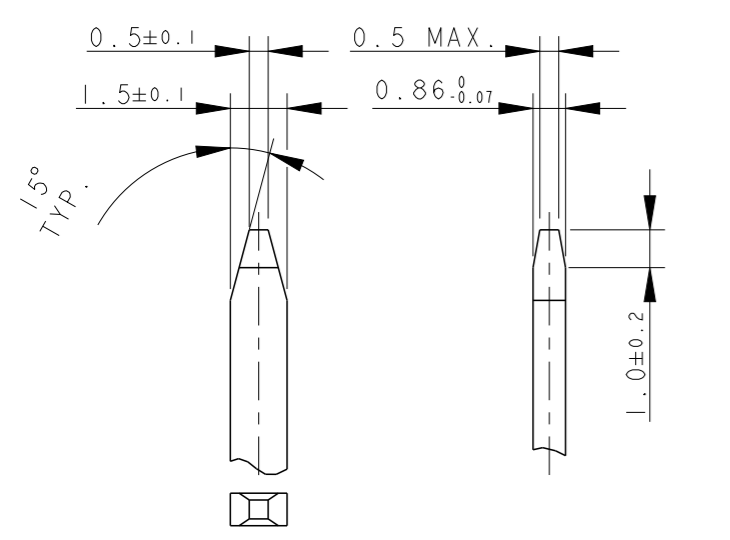


SECTION B - B



MATERIALS: PA66-GF FOR HOUSING
TIN PLATED BRASS FOR TABS

TAB DETAILS



THIS DRAWING IS A CONTROLLED DOCUMENT.

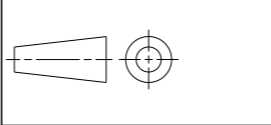
DWN 05-1992
C. BERTINI
CHK 05-1992
A. BRUNI
APVD -

NAME
AMP SUPERSEAL 1.5 SRS.
1 POSITION PLUG ASS'Y



DIMENSIONS:
mm

TOLERANCES UNLESS OTHERWISE SPECIFIED:



- 0 PLC ±0.3
- 1 PLC ±0.1
- 2 PLC ±0.05
- 3 PLC ±
- 4 PLC ±
- ANGLES ±2°

MATERIAL

FINISH

PRODUCT SPEC 108-20090
APPLICATION SPEC 412-20000
WEIGHT 1.55gr

SIZE A3 CAGE CODE 00779 DRAWING NO G-282079 RESTRICTED TO -

Customer Drawing SCALE 5:1 SHEET 2 OF 2 REV G3

Mouser Electronics

Authorized Distributor

Click to View Pricing, Inventory, Delivery & Lifecycle Information:

[TE Connectivity:](#)

[282079-2](#)