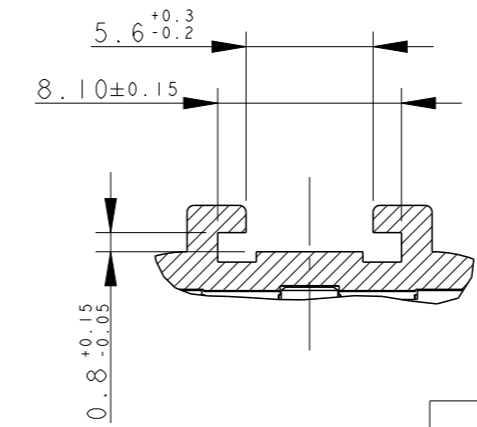
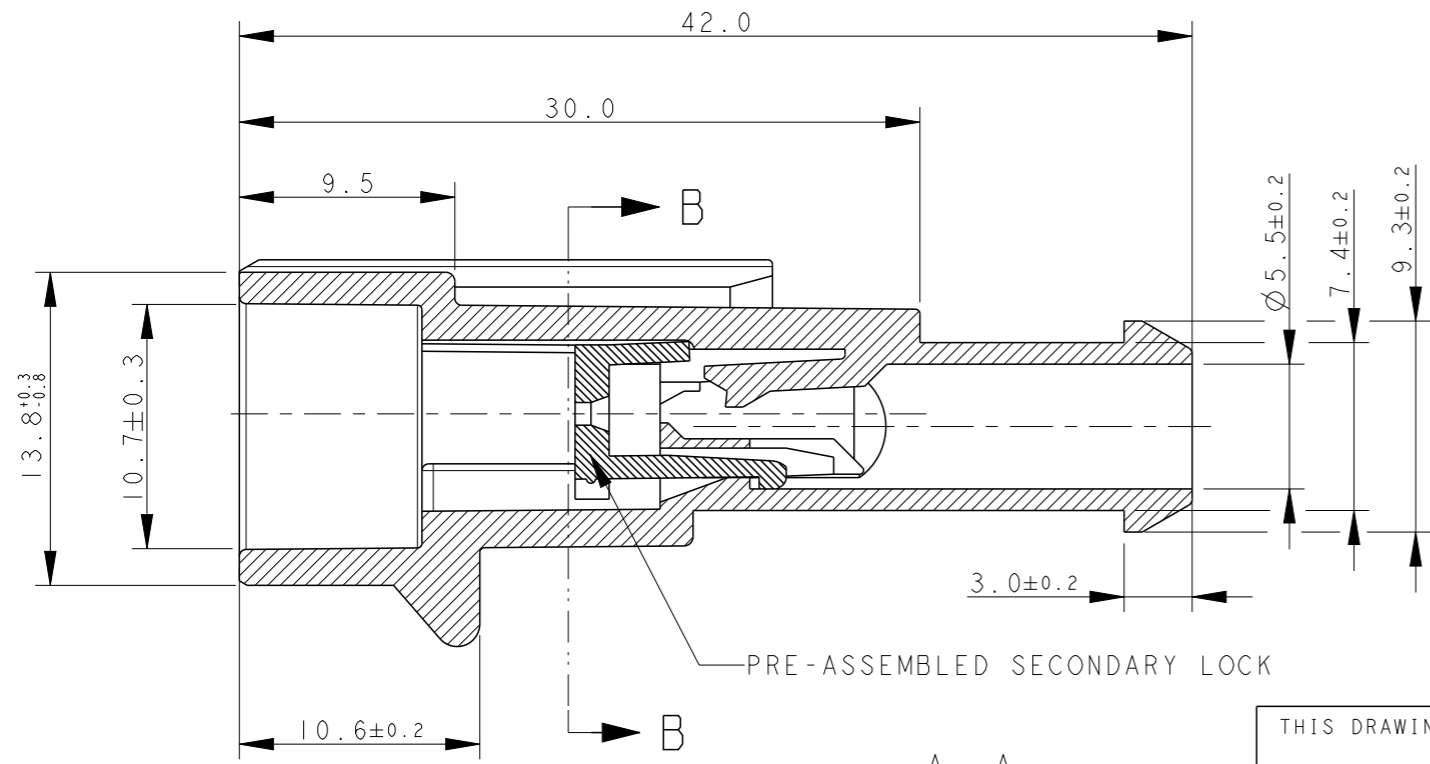
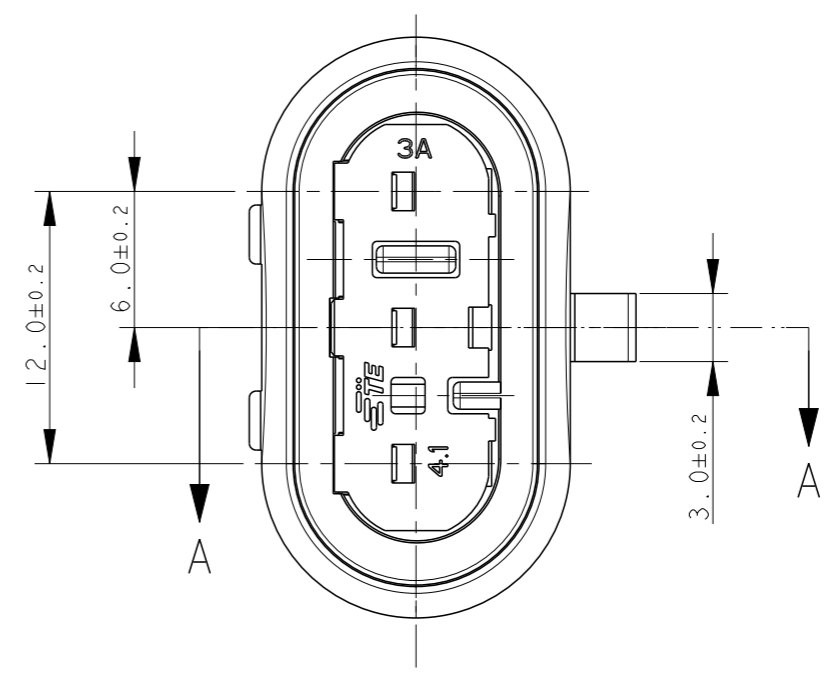
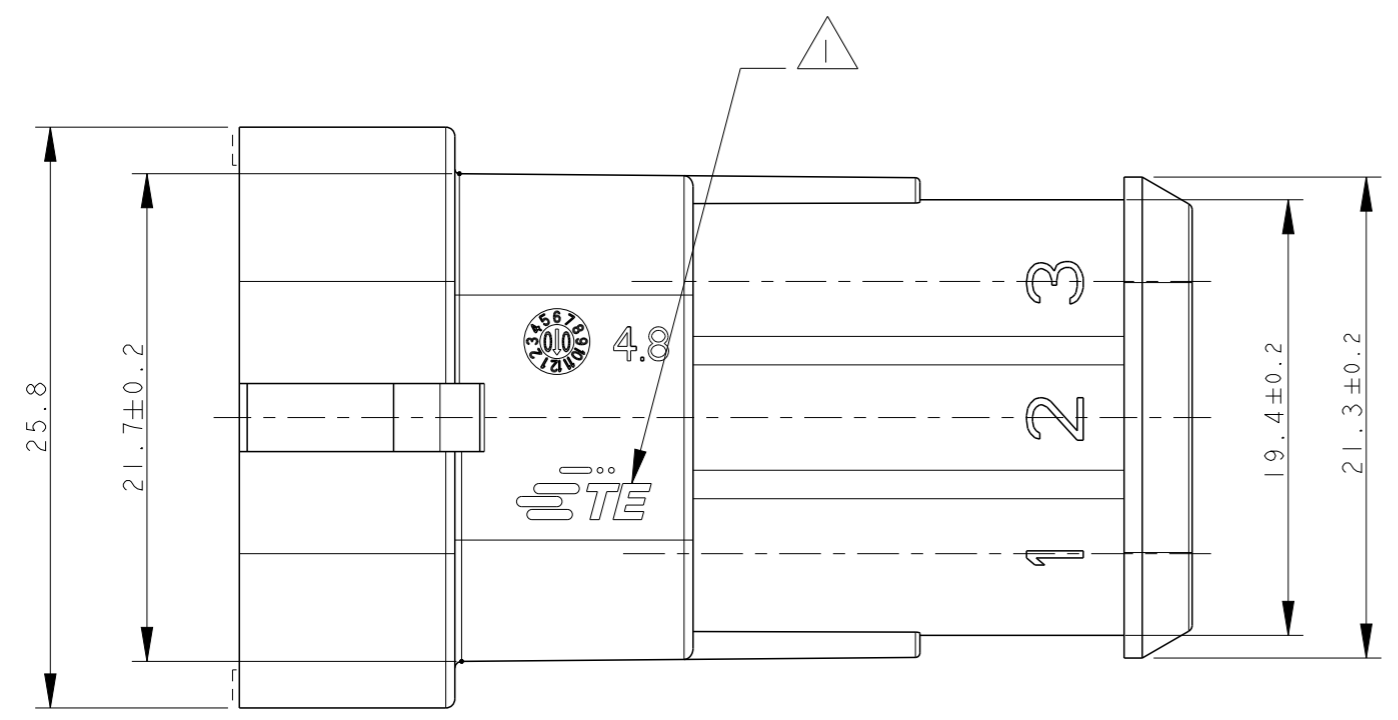


THIS DRAWING IS UNPUBLISHED. RELEASED FOR PUBLICATION 2009
 © COPYRIGHT 2009 BY - ALL RIGHTS RESERVED.

REVISIONS					
P	LTR	DESCRIPTION	DATE	DWN	APVD
B3		REVISED (ECO-17-009774)	06SEP2017	M.G.	M.G.



HSG: WHITE SEC. LOCK: WHITE	PA66-GF UL94-V2 ACC.TO IEC 60335-1	A	1745082-1
HSG: GRAY SEC. LOCK: RED	PA66-GF	B	282105-2
HSG: BLACK SEC. LOCK: RED	PA66-GF	B	282105-1
FINISH/COLOR	MATERIAL	REV	PART NUMBER

SECTION A - A

PART SECTION B - B

PRE-ASSEMBLED SECONDARY LOCK

TE CONNECTIVITY TRADE MARK,
 (IN ALTERNATIVE: "AMP" LOGO, OR "Tyco Electronics" LOGO)

THIS DRAWING IS A CONTROLLED DOCUMENT.		DWN C. BERTINI 02-1990	TE Connectivity	
		CHK A. BRUNI 02-1990		
DIMENSIONS: mm		APVD -	NAME AMP SUPERSEAL 1.5 SRS. CONNECTORS 3 POSITIONS TAB ASS'Y	
TOLERANCES UNLESS OTHERWISE SPECIFIED:		PRODUCT SPEC 108-20090	SIZE A300779	
0 PLC ±-	1 PLC ± 0.3	APPLICATION SPEC 412-20000	CAGE CODE C-282105	DRAWING NO
2 PLC ±-	3 PLC ±-	WEIGHT 5.14g	RESTRICTED TO	
4 PLC ±-	ANGLES ± 2°	CUSTOMER DRAWING	SCALE 3:1	SHEET 1 OF 1
MATERIAL SEE TABLE	FINISH SEE TABLE		REV B3	

Mouser Electronics

Authorized Distributor

Click to View Pricing, Inventory, Delivery & Lifecycle Information:

[TE Connectivity:](#)

[282105-1](#)