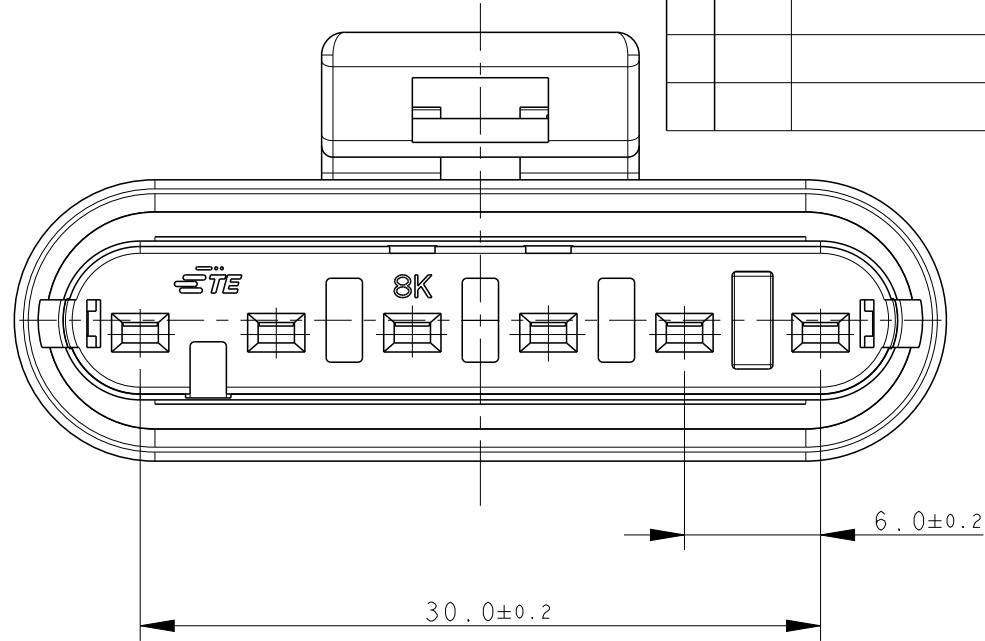
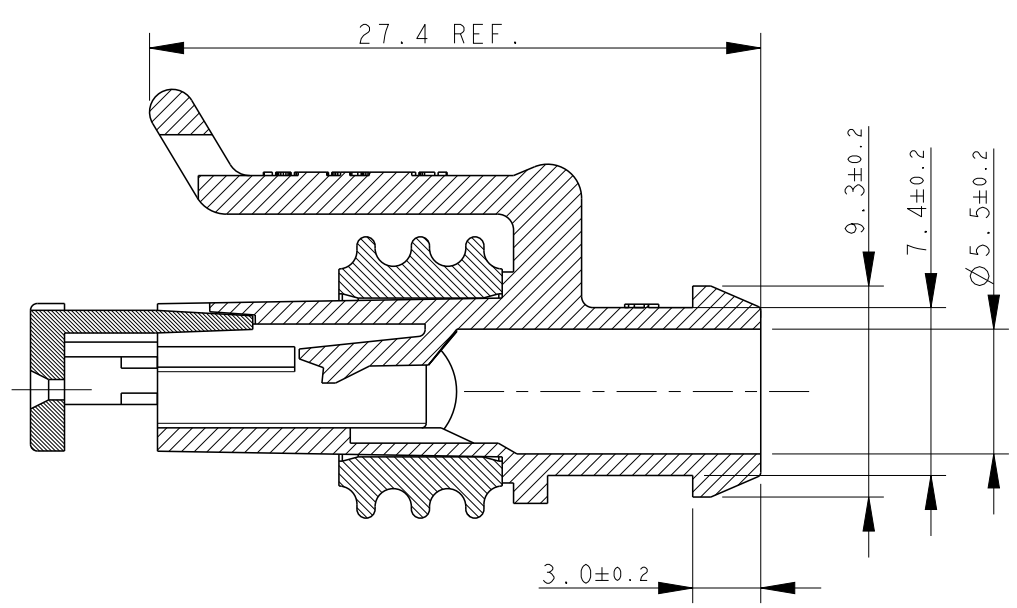
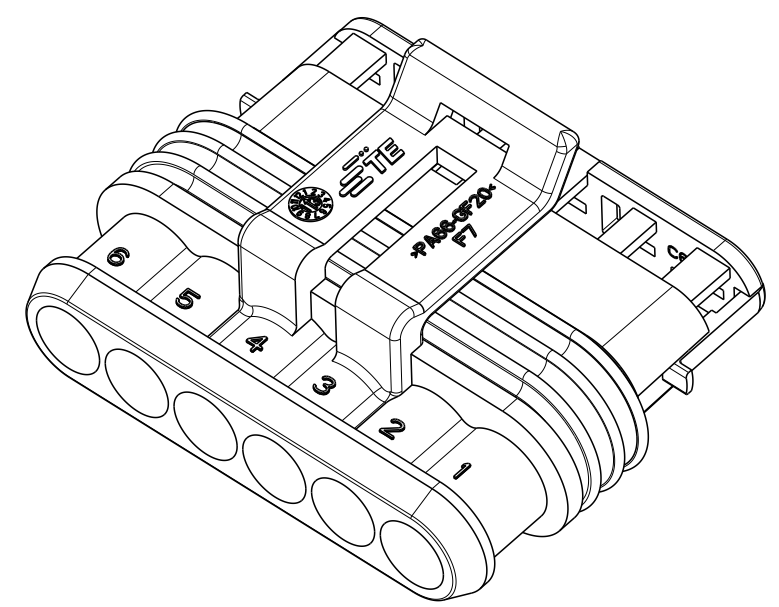
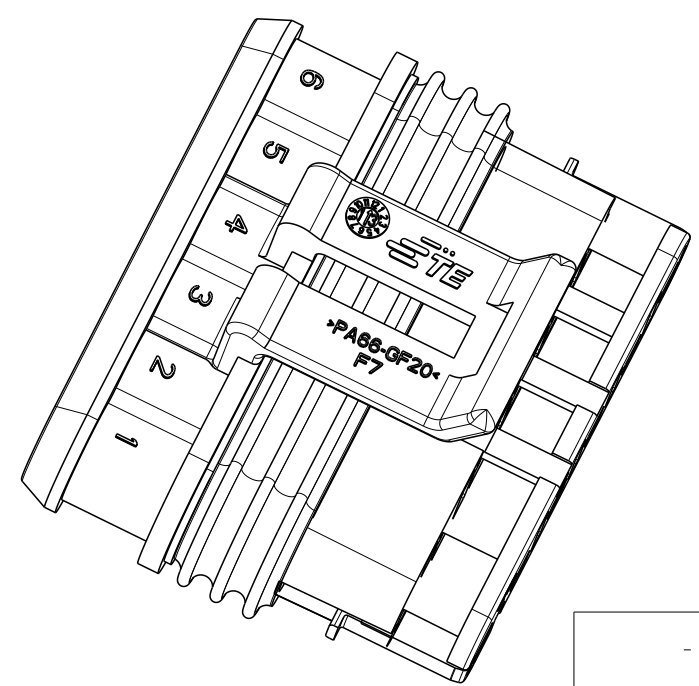
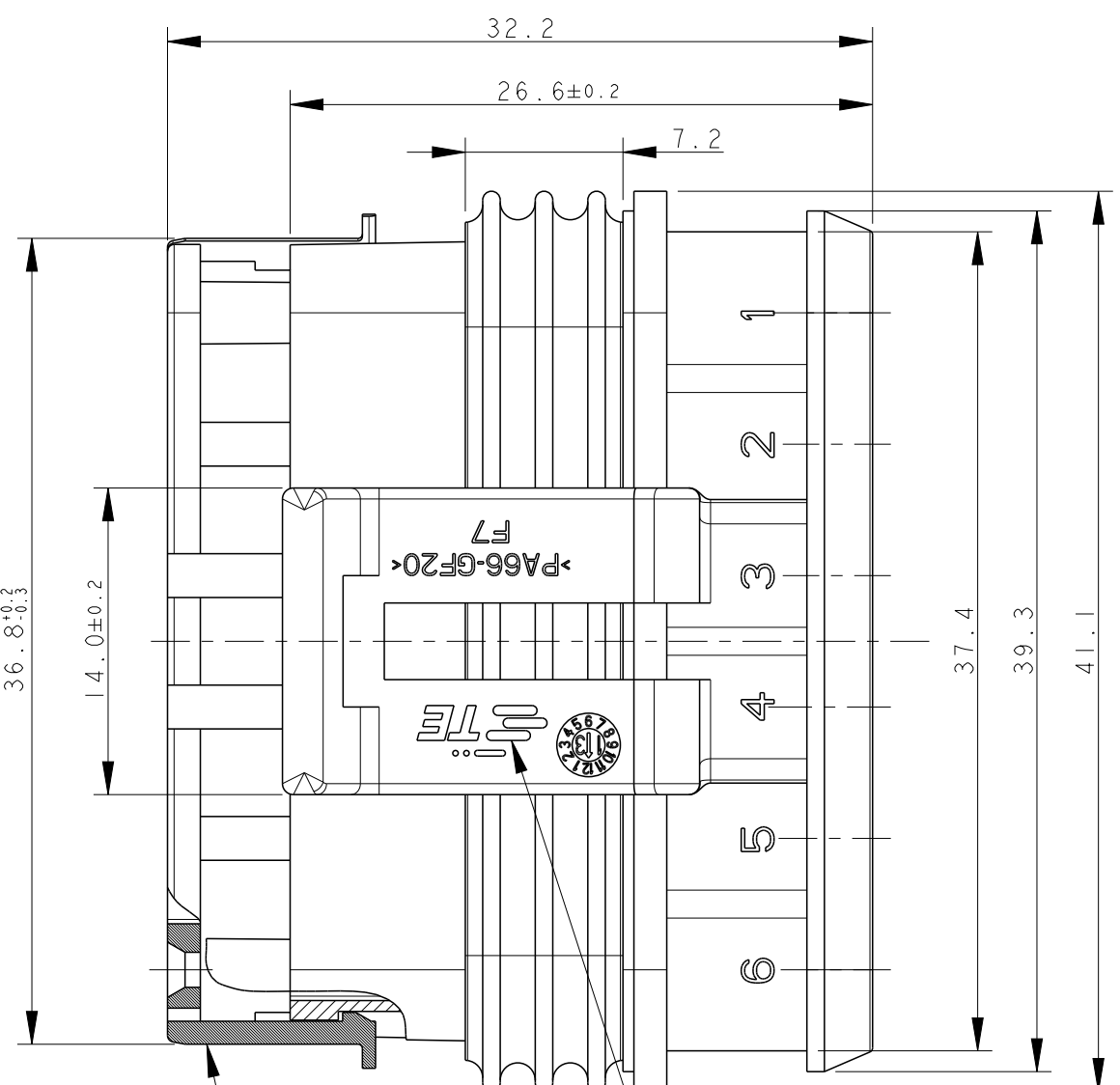


THIS DRAWING IS UNPUBLISHED. RELEASED FOR PUBLICATION 2011
COPYRIGHT 2011 ALL RIGHTS RESERVED.

REVISIONS					
P	LTR	DESCRIPTION	DATE	DWN	APVD
	D	ECR-14-009314	24MAR2015	M.P.	M.G.



NOT YET RELEASED FOR PRODUCTION


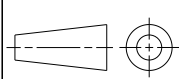


1) FOR COUNTERPART DETAILS, SEE SHEET 2 OF 2

-	BLACK	PA66-GF	1745058-1
NOTE	FINISH/COLOR	MATERIAL	PART NUMBER

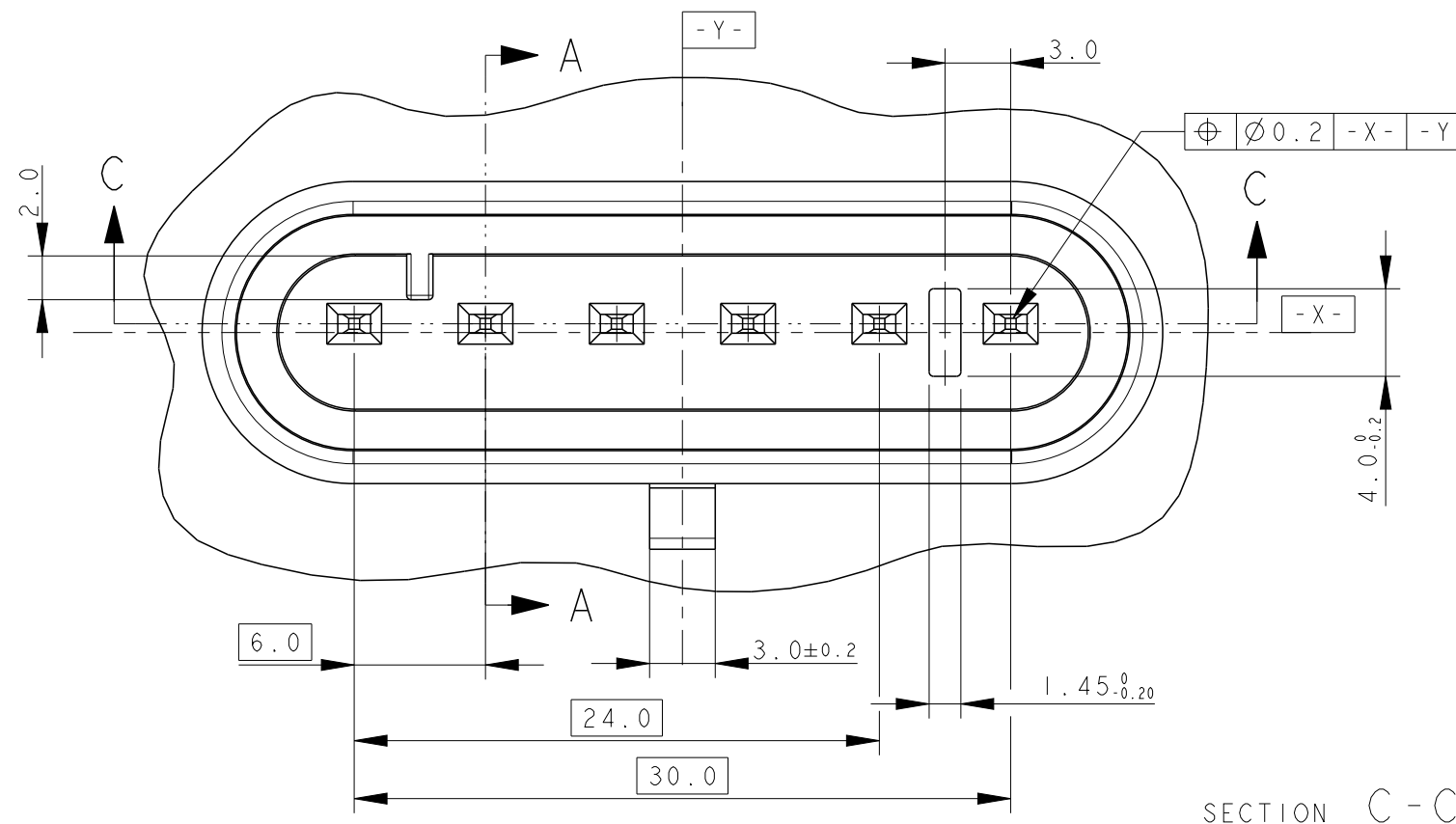
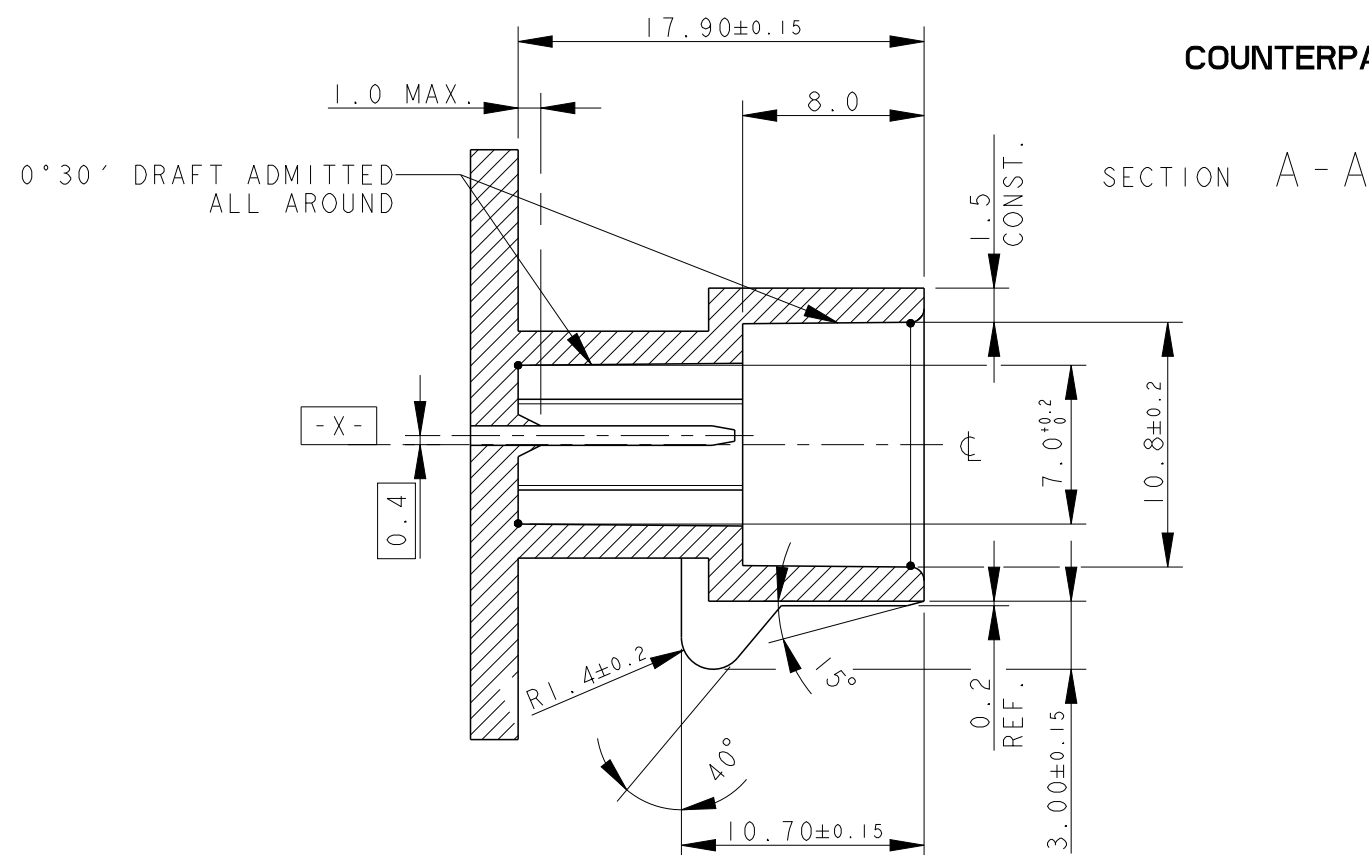
TE CONNECTIVITY TRADE MARK, (IN ALTERNATIVE: "AMP" LOGO, OR "Tyco Electronics" LOGO)

SEALING (SILICONE RUBBER)
PRE-ASSEMBLED SECONDARY LOCK (RED COLOR)

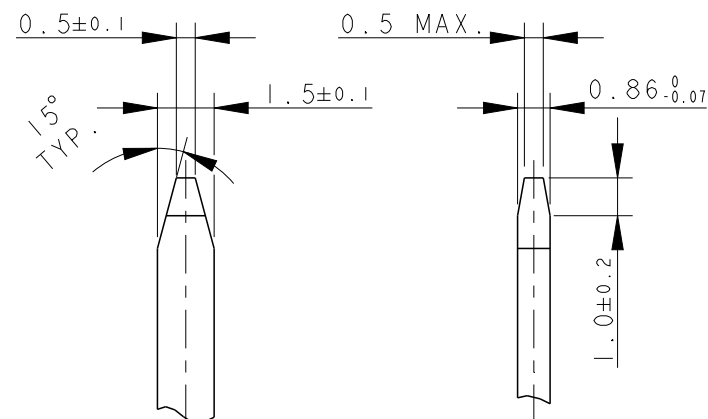
THIS DRAWING IS A CONTROLLED DOCUMENT.		DWN M. PALMA 22-06-2005	 TE Connectivity
DIMENSIONS: mm		CHK R. MARTINI 22-06-2005	
TOLERANCES UNLESS OTHERWISE SPECIFIED:		APVD -	
0 PLC ±- 1 PLC ±0.3 2 PLC ±- 3 PLC ±- 4 PLC ±- ANGLES ±2°		PRODUCT SPEC 108-20090	
MATERIAL SEE TABLE (VEDI TABELLA)		FINISH SEE TABLE (VEDI TABELLA)	NAME -
		APPLICATION SPEC 412-20000	AMP SUPERSEAL 1.5 SRS. 6 POSITIONS PLUG ASS'Y
		WEIGHT 6.55gr	SIZE A3
		CUSTOMER DRAWING	CAGE CODE 00779
			DRAWING NO C=1745058
			RESTRICTED TO -
			SCALE 3:1 SHEET 1 OF 2 REV D

P	LTR	DESCRIPTION	DATE	DWN	APVD
		SEE SHEET 1			

COUNTERPART DETAILS



TAB DETAILS



THIS DRAWING IS A CONTROLLED DOCUMENT.		DWN M. PALMA 22-06-2005	STE TE Connectivity	
		CHK R. MARTINI 22-06-2005		
DIMENSIONS: mm		APVD -	NAME -	
TOLERANCES UNLESS OTHERWISE SPECIFIED:		PRODUCT SPEC 108-20090	AMP SUPERSEAL 1.5 SRS. 6 POSITIONS PLUG ASS'Y	
0 PLC ± 1 PLC ±0.3 2 PLC ± 3 PLC ± 4 PLC ±		APPLICATION SPEC 412-20000	SIZE A300779	CAGE CODE C-1745058
ANGLES ±2°		WEIGHT -	RESTRICTED TO -	
FINISH		CUSTOMER DRAWING		
		SCALE 5:1	SHEET 2 OF 2	REV D

MATERIALS: PA66-GF FOR HOUSING
TIN PLATED BRASS FOR TABS

Mouser Electronics

Authorized Distributor

Click to View Pricing, Inventory, Delivery & Lifecycle Information:

[TE Connectivity:](#)

[282090-1](#)