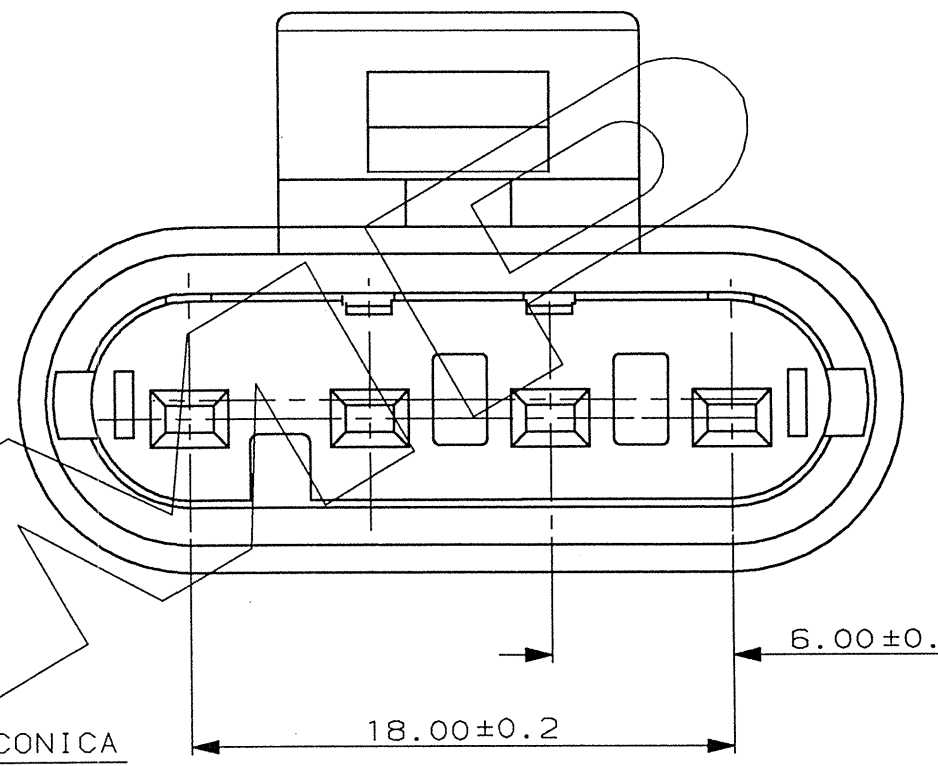
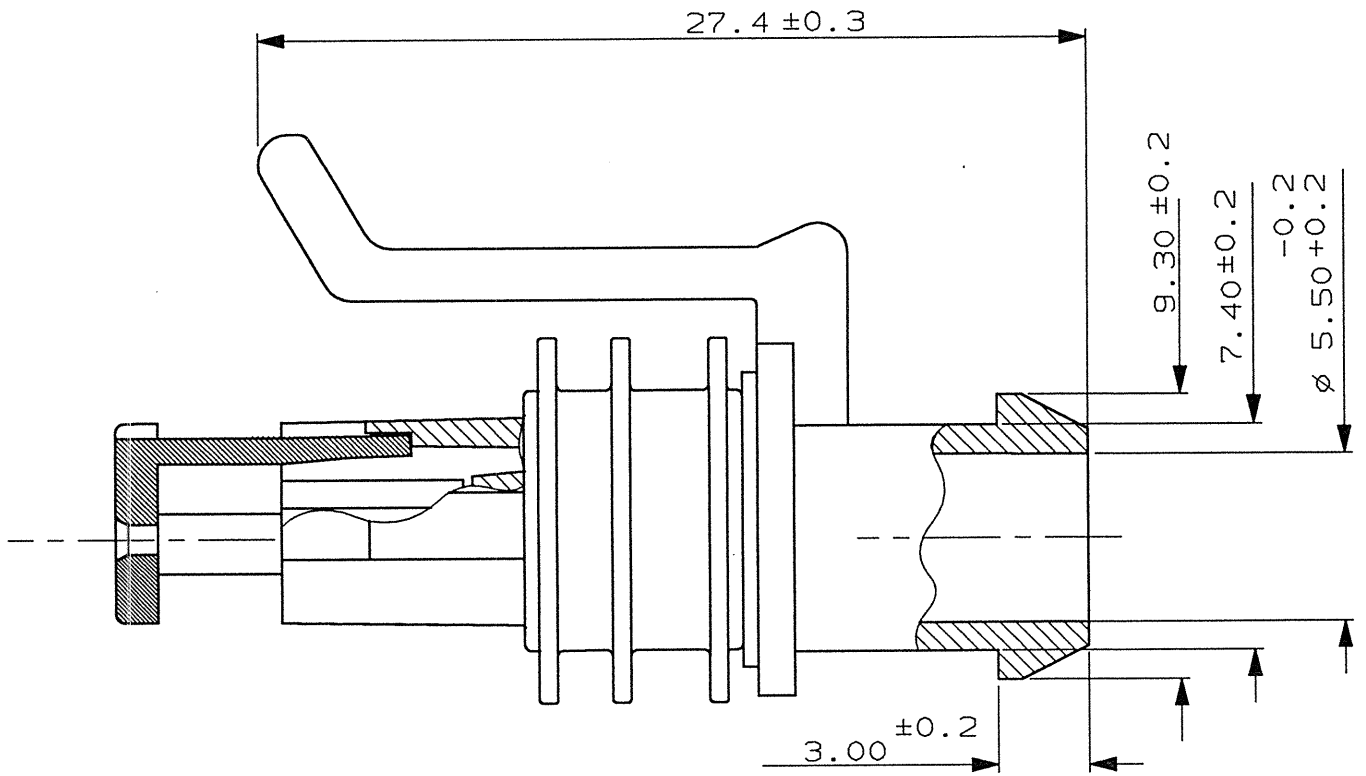


1 2 3 4 5 6 7 8

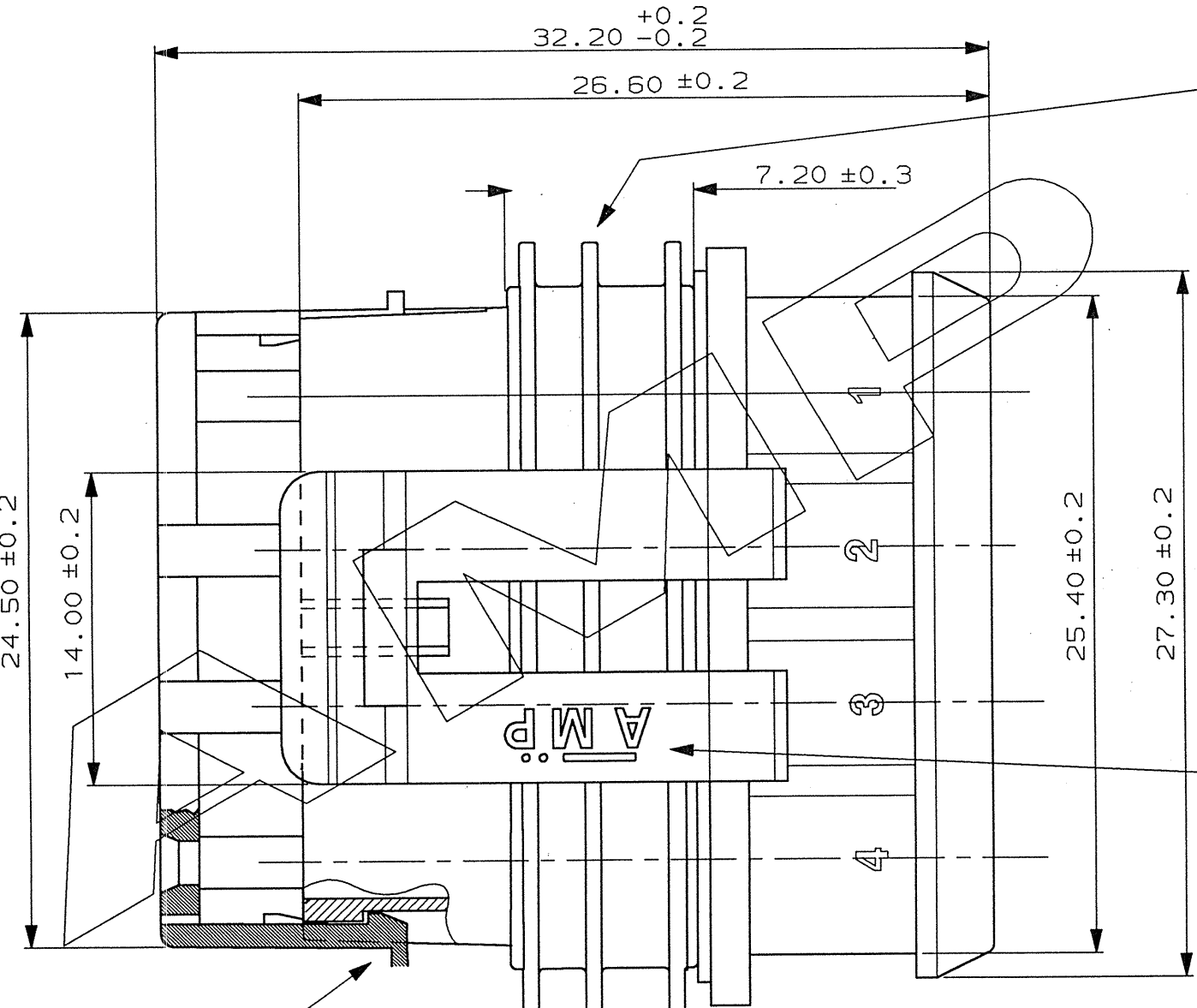
SCALA NON IMPEGNATIVA  
(DO NOT SCALE)  
DIMENSIONI IN mm  
(DIMENSIONS IN mm)

**METRIC**

PROIEZIONE EUROPEA  
(EUROPEAN PROJECTION)



GUARNIZIONE, GOMMA SILICONICA  
(GASKET, SILICON RUBBER)



1) PER RAPPRESENTAZIONE DIMA CONTROPARTE  
VEDERE FOGLIO 2 DI 2.  
(FOR COUNTERPART DETAIL SEE SEET 2 OF 2)

LOGO "AMP"  
("AMP" TRADE MARK)

GRIGIO (GREY)	PA 6.6 CAR. VETRO	282088-2
NERO (BLACK)	(PA 6.6 G.F.)	282088-1
FINITURA / COLORE (FINISH / COLOUR)	MATERIALE (MATERIAL)	NUMERO (PART NUMBER)

CUSTOMER DWG. FOR REFERENCE ONLY

DISEGNO PER CLIENTE SOLO PER RIFERIMENTO

THIS DRAWING IS UNPUBLISHED - RELEASE FOR PUBLICATION

© COPYRIGHT 19 BY AMP INCORPORATED, HARRISBURG, PA. ALL INTERNATIONAL RIGHT RESERVED. AMP PRODUCTS MAY BE COVERED BY U.S. AND FOREIGN PATENT AND/OR PATENT PENDING

B1	REVISED FOR ET00-0072-98	M.P.	7/98
B	UP-DATED ET00-0490-97	10/98	
A1	UP-DATED (ET00-0342-96)	C B	
A	SEE SHEET 2 OF 2	C B	29-4/96
5	UP-DATED	C B	10/92
4	ADDED PN ...-2	C B	8/92
3	UP-DATED	C B	1/92
2	UP-DATED	C B	7/90
REV.	REVISIONI	DIS.	DATA

TOLLERANZE, SE NON DIVERSAMENTE SPECIFICATO	DIAM. ISOLANTE (INS. DIA. RANGE)	RANGO FILO (WIRE RANGE)	SCALA (SCALE)
± 0.3	-	-	-
ANGOLI (ANGLES)	± 2°		
DIS. C. BERTINI (DR.)	DIS. C. BERTINI		
CONT. (CHK)	CONT. (CHK)		
APP. (APP.)	APP. (APP.)		
DESCRIZIONE (DESCRIPTION)	AMP SUPERSEAL 1.5 SERIES CONNECTORS		
LOC. SIZE (DWG NO)	NUMERO (DWG NO)	REV.	FOGLIO (SHEET)
IA3	C-282088	B1	1 OF 2

AGGANCIAMENTO SECONDARIO, COLORE ROSSO, PRE-ASSEMBLATO  
(SECONDARY LOCK, RED COLOUR, IN PRE-ASSEMBLED POSITION)

ISTRUZIONE (INT. DIST.)

SCALA NON IMPEGNATIVA  
(DO NOT SCALE)  
DIMENSIONI IN mm  
(DIMENSIONS IN mm)

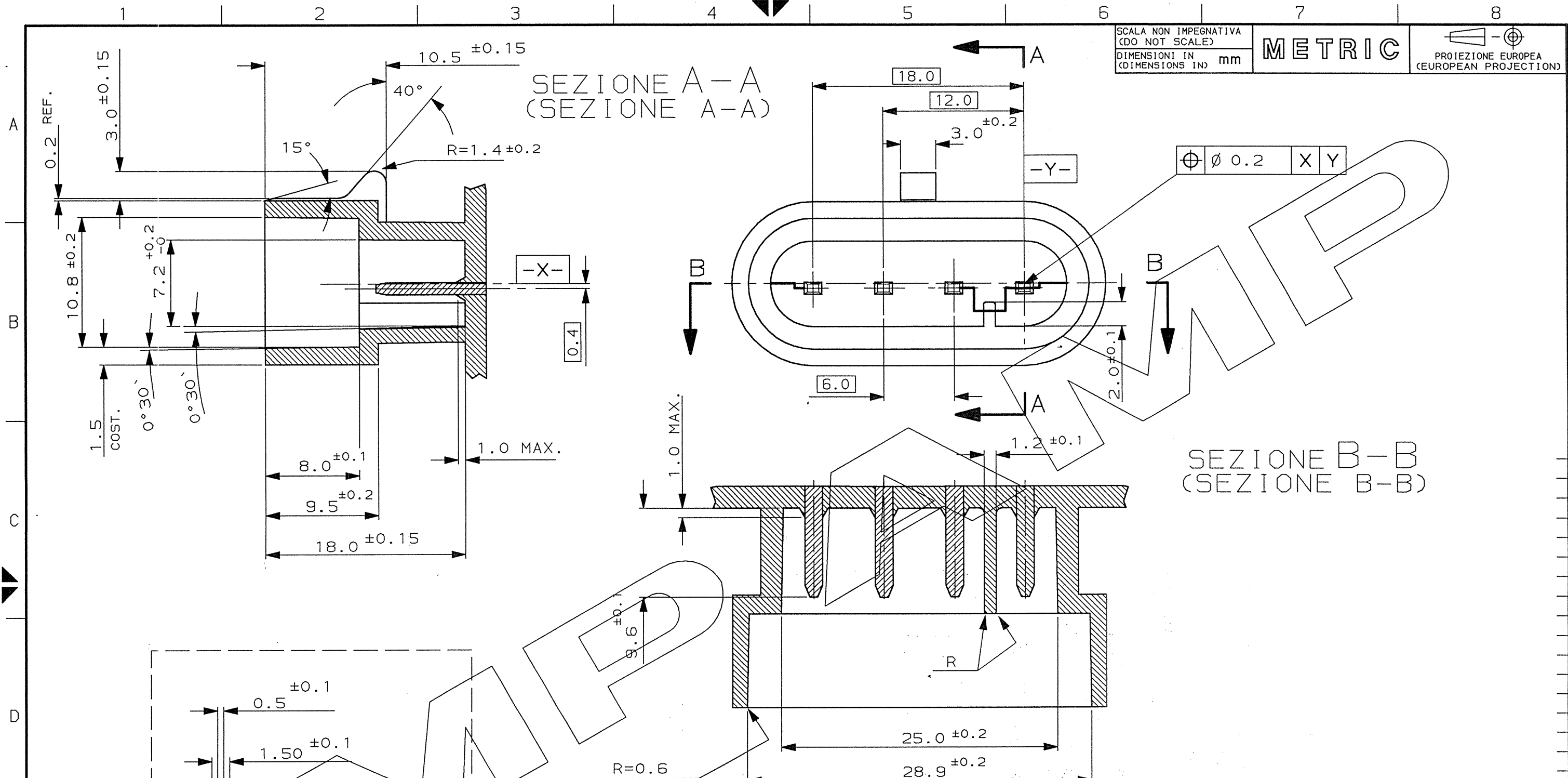
**METRIC**

PROIEZIONE EUROPEA  
(EUROPEAN PROJECTION)

SEZIONE A-A  
(SEZIONE A-A)

SEZIONE B-B  
(SEZIONE B-B)

DIMENSIONI TAB  
(TAB DIMENSIONS)



FINITURA / COLORE (FINISH / COLOUR)		PA 6.6 CAR. VETRO (PA 6.6 G.F.)	NUMERO (PART NUMBER)
CUSTOMER DWG. FOR REFERENCE ONLY		DISEGNO PER CLIENTE SOLO PER RIFERIMENTO	
THIS DRAWING IS UNPUBLISHED		RELEASE FOR PUBLICATION	19
© COPYRIGHT 19 BY AMP INCORPORATED, HARRISBURG, PA. ALL INTERNATIONAL RIGHT RESERVED. AMP PRODUCTS MAY BE COVERED BY U.S. AND FOREIGN PATENT AND/OR PATENT PENDING			
TOLLERANZE, SE NON DIVERSAMENTE SPECIFICATO (TOLERANCES, UNLESS OTHERWISE SPECIFIED)		DIAM. ISOLANTE (INS. DIA. RANGE)	RANGO FILO (WIRE RANGE)
± 0.3		-	-
ANGOLI (ANGLES)		SCALA (SCALE)	
± 2°		-	
DIS. C. BERTINI (DR.) 5. 97		DESCRIZIONE (DESCRIPTION) COUNTERPART FOR	
VEDERE FOGLIO 1 DI 2 (SEE SHEET 1 OF 2)		FOUR POS. REC. HSG. ASS'Y	
CONT. (CHK)	APP. (APP.)	LOC. SIZE (DWG NO)	REV. FOGLIO (SHEET)
-	-	TA 0-282088	01

DISTRIBUZIONE  
(INT. DIST.)